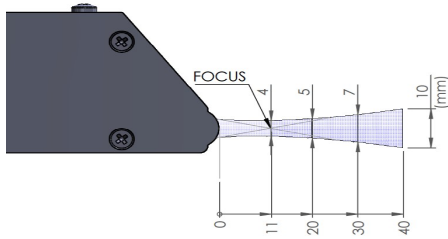
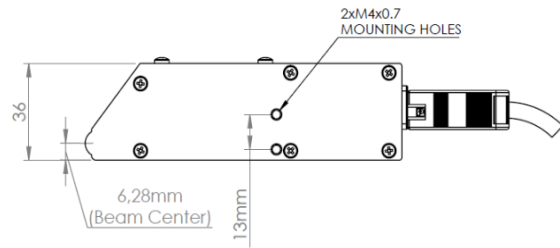
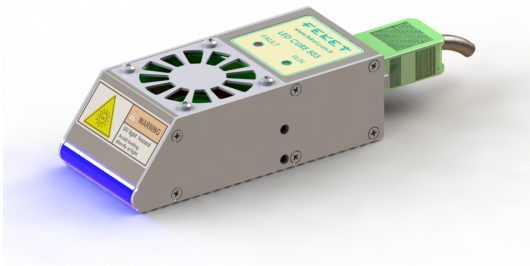
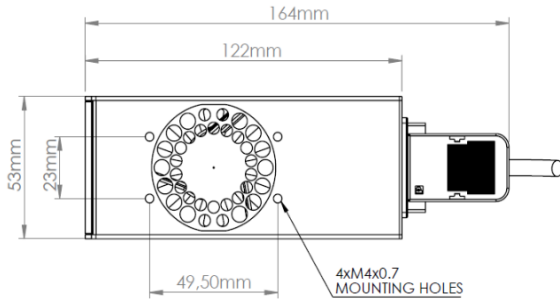


FEKET LED CURE 500 SERIES - 365nm-385nm-395nm-405nm



Radiation



Mounting

FEATURES

Models	Optical Power	Source
LED CURE 505	5w/cm ²	24VDC
LED CURE 511	11w/cm ²	48VDC

- Ultraviolet energy (UVE) cure.
- 365nm, 385nm, 395nm,405nm high output LED.
- Air cooling fan.
- Built in power regulation and over temperature protection.
- Green lamp power on and working properly.
- Red lamp indicates fault conditions.